

Telescopic Sliding doors **SLT** series

with Brushless motors in direct drive and power supply in extended range 100-240 V (50/60 Hz) Switch Mode Tecnology

the first real energy saving automations that guarantee a reduction in the consumption of electricity equal to 54%

“nothing like before”

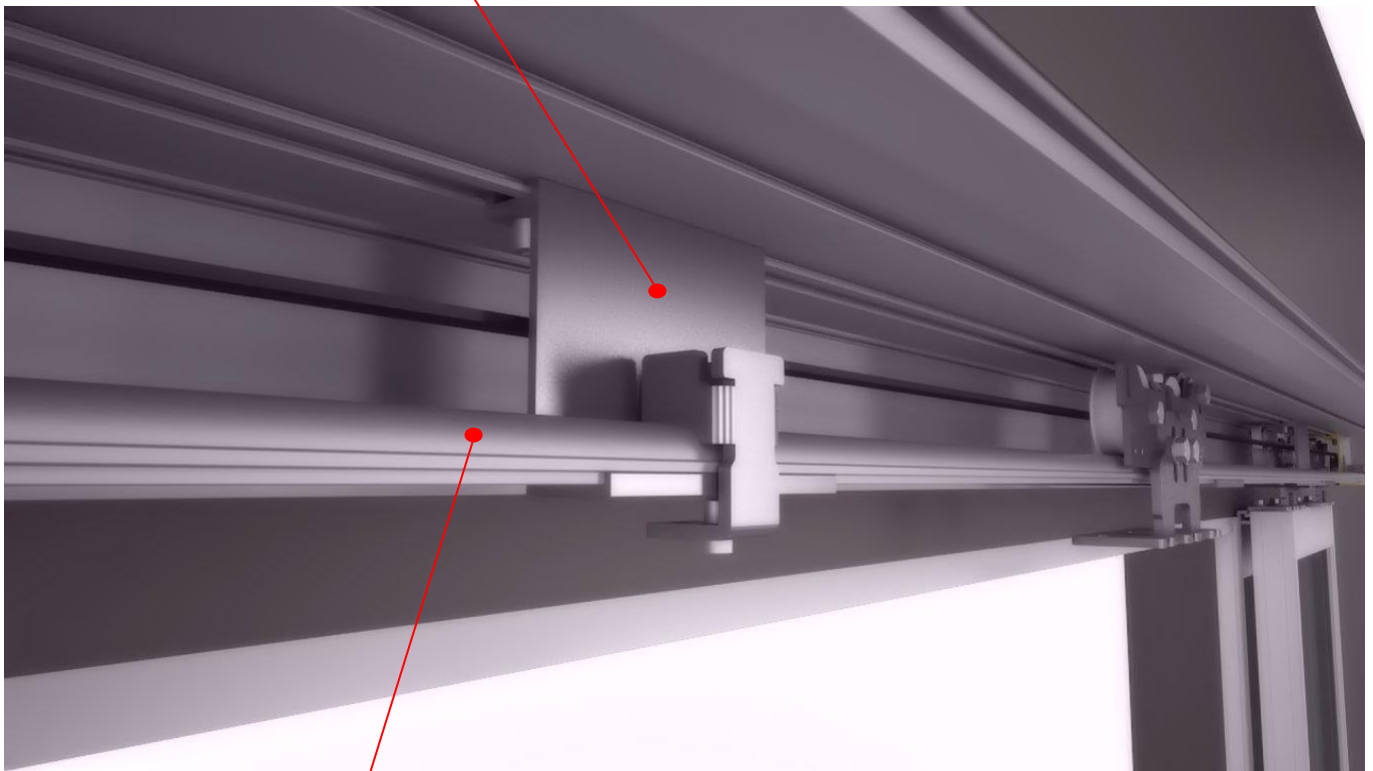
THE PRIMARY SUSPENDED SLIDING CARRIAGES RAIL

The rail of sliding carriages/primary leaves is suspended and connected to the beam profile through modular brackets with front snap.

This solution,

This solution, unique in its kind, allows easy access to the secondary carriages rail both in the first installation and in the subsequent maintenance, making simple, easy and fast the snap operations and the regulation of secondary leaves.

Modular brackets with snap front

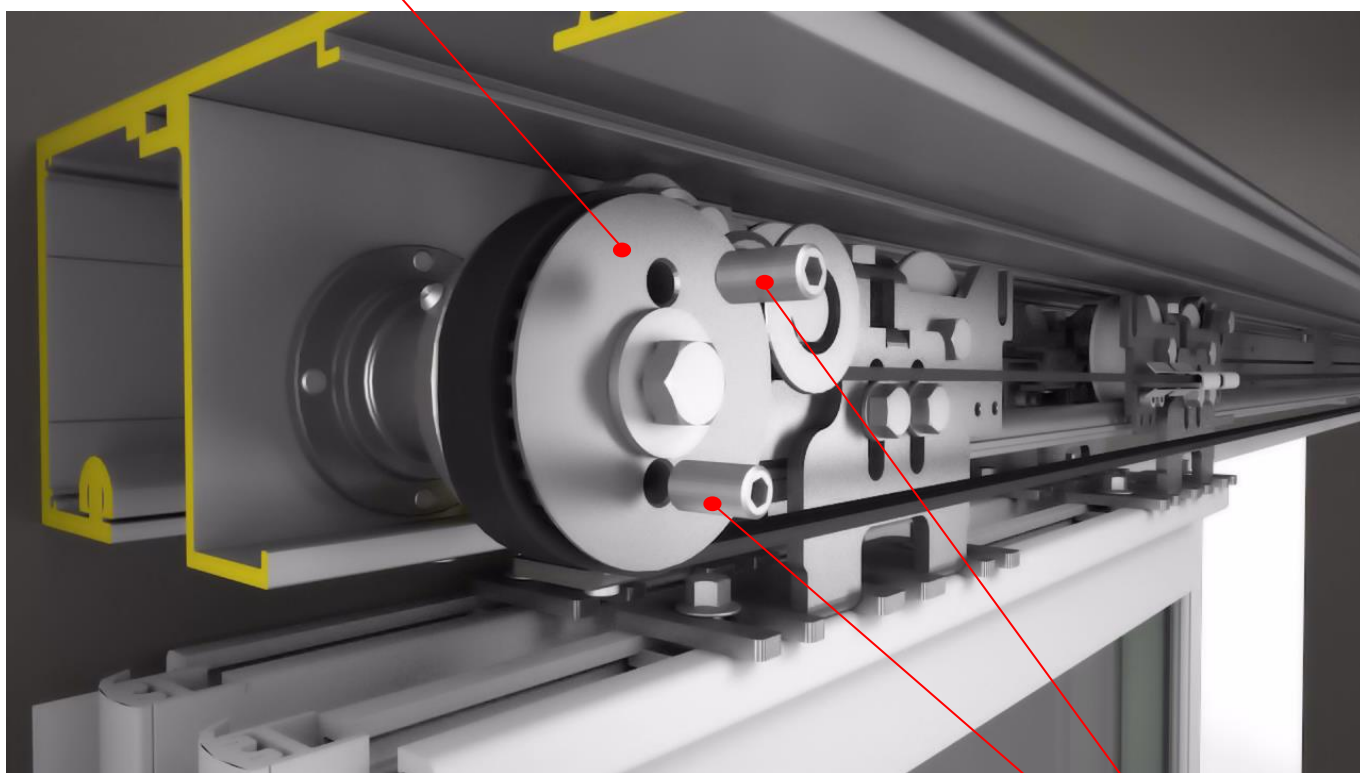


Primary suspended sliding carriages rail

THE RETURN PULLEY OF THE TWO BELTS CONSISTING OF TWO PULLEYS WITH INDEPENDENT ROTATION

This solution, unique in its kind, allows the rapid positioning and independent adjustment of the primary leaves from the secondary ones, eliminating the typical difficulties of traditional telescopic automations. After the final adjustment and positioning of the leaves in the maximum opening, by locking together the two pulleys making them solidary by simply closing two set screws in the external front position, you accurately and quickly get the coordinated movement of the leaves.

Primary pulley independent to the secondary one



Two set screws to block the primary and secondary pulleys making them solidary

BRUSHLESS MOTOR IN DIRECT DRIVE

-Use of direct drive Brushless motor of its own design , in replacement of traditional DC motor with switching brushes , to increase the efficiency (+30% efficiency of the brushless motor and +30% efficiency from the elimination of the gearbox) and reduce the electricity consumption.

-The main element of usury in a DC motor are brushes, being by definition the Brushless motor without brushes, and also turning low speed, 200 rpm because direct, it's operational life is longer about ten times and the maintenance more than halved and limited to the external parts of the motor.

Having also removed the gearbox, are also delete the maintenance costs due to it's natural wear.

-The absence of brushes makes these motors exceptionally quiet, and the elimination of the gearbox enhances more the result.

-The exclusive and patented positioning hall sensor inside the engine, making it very compact in size and functionality, protected from accidental breakage caused by inadvertent clumsy external actions.

Direct Brushless Motor



ELECTRONIC CONTROL

-The power supply is an extended range 100-240 Vac (50/60 Hz), made with Switch Mode technology, which guarantees highest efficiency and reduces energy consumption of the entire automation.

-The power supply connection is a standard cable plug, doesn't required installation by specialized personnel.

-Adjustment by an alphanumeric display, easily readable even at distance, and can provide diagnostic and detailed information.

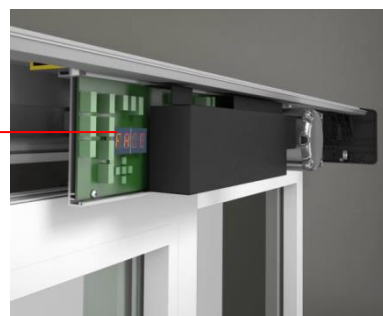
-The electronic control is already preset in standard mode, you don't need to make any adjustment, your door is already working. However, all parameters are editable, we want to meet your specific needs.

-Dedicated terminal are present to each accessory, allowing an easy and simple connection of the control devices and door security.

-All the information collected during the operation of the door, and above all control settings, are saved on a micro SD memory easily available, so that you can replicate to similar applications, and reuse when replacing, reducing intervention time. The micro SD memory can also be used to upgrade the system, so you always benefit the latest innovations functionality of the door.

-The electronic control is provided with standard micro USB for connection to the personal computer, in order to perform more sophisticated diagnostics, update and control.

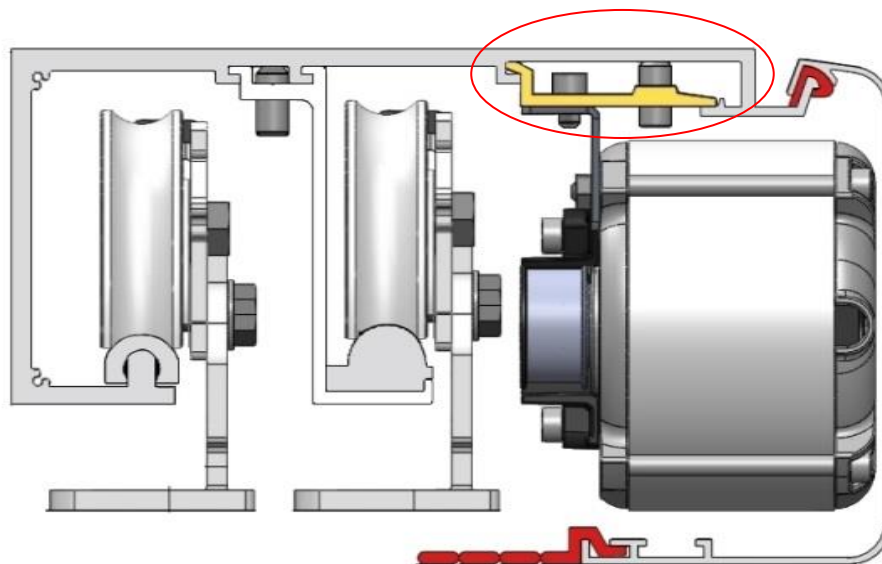
Electronic Control



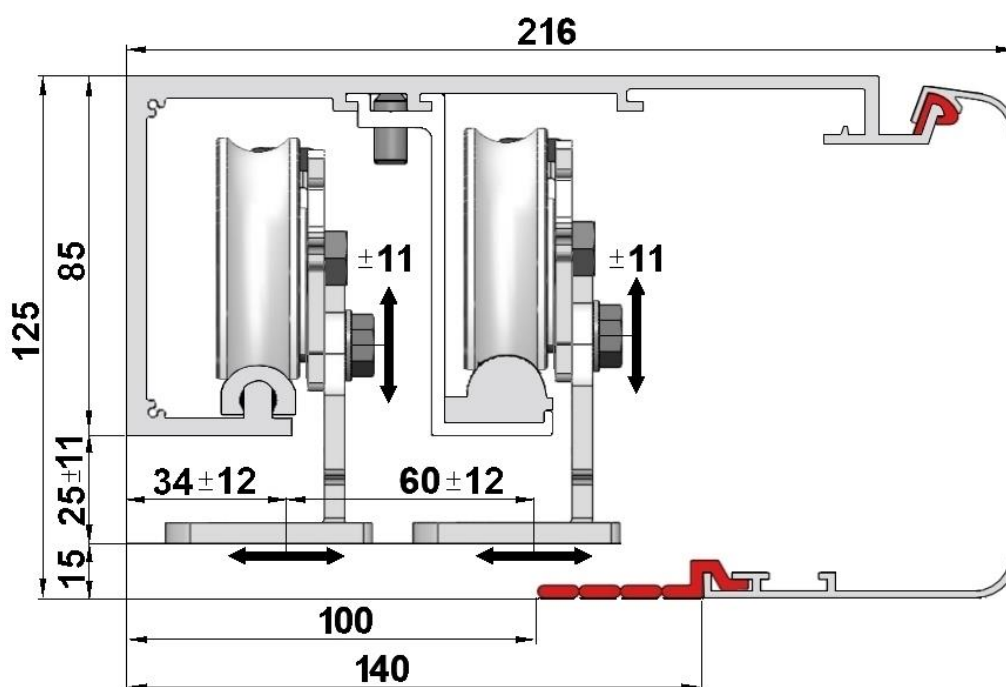
FAST FRONTAL FIXING

-The fixing system for snap-front of all internal elements automation, allows a quick and easy replacement, any operation is also facilitated by the fact that in all automation are only used 3 different types of screws that require to have included only one type of key combination, only one type of Allen key T and a single type of screwdriver.

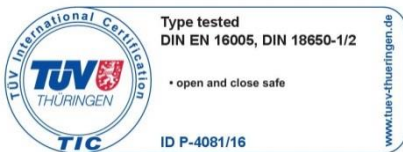
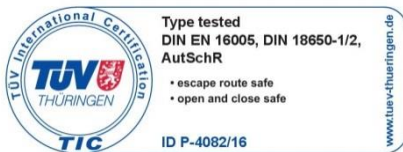




Push fit front



Section dimensions and adjustment doors bracket



TECHNICAL SPECIFICATION

Series	SLTA	SLTE
Models	ADVANCED	EMERGENCY
TÜV Thüringen certification	 <p>Type tested DIN EN 16005, DIN 18650-1/2 • open and close safe ID P-4081/16</p>	 <p>Type tested DIN EN 16005, DIN 18650-1/2, AutSchR • escape route safe • open and close safe ID P-4082/16</p>
Product dimensions: Height x Depth x Max length	125 x 216 x 6600 mm	125 x 216 x 6600 mm
Maximum load: Sliding door 2 door Sliding door 4 doors	2 X 100 kg 4 x 70 kg	2 X 100 kg 4 x 70 kg
Maximum opening and closing speed: Sliding door 2 door Sliding door 4 doors	0,8 m/s 1,6 m/s	0,8 m/s 1,6 m/s
Duty class Intermittent operation	Continuous operation S3 = 100%	Continuous operation S3 = 100%
Power supply Rated power Stand-by	100–240 Vac 50/60 Hz 70 W 10 W	100–240 Vac 50/60 Hz 70 W 10 W
Rated load	80 N	80 N
Protection Rating	IP 20	IP 20
Operating temperature	 -15 °C  +50 °C	 -15 °C  +50 °C
Parameter Settings: basic settings advanced settings	Buttons and Display	Buttons and Display
Connections to control and safety devices	Dedicated connecting terminals	Dedicated connecting terminals
Power output for accessories	12 Vdc (1 A max)	12 Vdc (1 A max)
Memory for settings and saving	Micro SD standard	Micro SD standard
PC connection	Micro USB standard	Micro USB standard
Function selector device with transponder key	FSD1	FSD1 (required)
Bistable locking device with release handle	SL5LD	SL5LD
Signal of lock position	SL5SL	SL5SL (required if SL5LD)
Battery power device for emergency opening	SL5BD, SL5BD2	SL5BD2 (required)
Fixing device for opening and safety sensor on doorway and on sides	SL5FS	SL5FS

INDIPENDENT ON-OFF HOOK MAGNETIC SENSORS SYSTEM SUPPORT

The unique sensors system support, allows you to remove and put the automation cover (also with magnetic coupling) very rapidly due to the elimination of the mounting and wiring sensors directly onto the cover, reducing access times to automation.



FUNCTION SELECTOR WITH ELECTRONIC KEY TRANSPONDER

This innovative device has a capacitive touchscreen display for an easy and intuitive use, the backlight LED ensures high visibility settings even in adverse lighting conditions. The glass front panel, is pleasantly "clean" to view and adequately resistant for use in all conditions.

The simplified use authorization is on three levels, choose from:

- 1° - Always On.
- 2° - Activated by a simple touch on the FACE logo 3 seconds.
- 3° - Badge contactless, without use of "mechanical" keys.

The device is also arranged to interact directly with the NFC enabled smartphone in substitution of badges.





Innovate to simplify

MARCATURA CE E NORMA EUROPEA EN 16005



Le automazioni FACE sono provviste di marcatura CE, e sono progettate e costruite in conformità ai requisiti di sicurezza della norma europea EN 16005 e delle seguenti direttive europee: Direttiva Macchine (2006/42/CE), Direttiva Compatibilità Elettromagnetica (2014/30/UE).
Per la realizzazione dell'impianto utilizzare accessori e dispositivi di sicurezza approvati da FACE.

FACE si riserva la facoltà di apportare modifiche atte a migliorare i prodotti. Per tale motivo le illustrazioni e le informazioni che compaiono nel presente documento sono da intendersi non impegnative.

La presente edizione del documento annulla e sostituisce le precedenti. In caso di modifica verrà rilasciata una nuova edizione.

Ulteriori informazioni sono disponibili sui Manuali Tecnici visionabili nel sito www.facespa.it.



Quality system certificate Nr. 50 100 12734

FACE S.p.A.

Viale delle Industrie, 74 - 31030 Dosson di Casier (TV) – Italy

Fax +39 0422 380414 \ Phone +39 0422 492730

E-mail: info@facespa.it \ www.facespa.it

